



PORTABLE ELECTRIC CAPSTAN WINCH

LIBERTY[®] SERIES



thern.com
(507) 454-2996

LIBERTY® SERIES

PORTABLE CAPSTAN WINCH W/ INTEGRAL SWIVEL BASE

Quiet Performance at Any Angle

The Thern Liberty Series capstan winch delivers portable strength and performance. The swivel base helps you deliver it, securely, at almost any angle for lifting, stringing, and pulling—especially with the optional hitch mount. Position your truck once, rotate the winch (15° increments) to align the load, and lock it down. Then, enjoy quiet operation for enhanced team communication and productivity. It's perfect for energy sector tasks in remote locations, including pole setting, stringing lines, maintaining wind turbines, and erecting cell towers.

1,000 lb Capacity (450 kg)

- Quiet Operation and Long Life
- Load-Aligning Swivel Base
- Extremely Portable
- Improved Safety vs. Competitive Products
- Increased Productivity
- Maintenance-Free
- Two-Year Warranty

Premium Motor with Handle

- Premium motor offers quiet operation (80 dBA)* enhancing clear communication between operators
- Totally enclosed housing with durable powder-coat finish resists contamination for increased reliability
- Maintenance-free, permanently lubricated, planetary gearbox for smooth operation and long life
- UL-Recognized motor

Foot Switch Control

- Foot switch-controlled operation delivers productivity and safety
- IP65, NEMA 4-rated sealed foot switch allows outdoor use
- Painted, cast-iron construction and anti-skid feet promote durability and stability for outdoor applications
- 10-foot cord and twist-lock plug design avoids untimely power disruption, increasing productivity

Engineered Drum Design

- Keeps load line from moving during operation, enhancing productivity
- Nickel-plated steel construction for optimum performance and durability



Product Shown:
3CP1S-AFS

Durable Swivel Frame with Integral Lock

- Adjustable rotation in 15° increments to align loads and lock securely with swivel stop
- Lightweight, engineered design and steel construction provides portability
- Powder-coated steel finish resists wear and promotes durability
- Half-inch, Grade 5 mounting hardware enhances security
- Optional heavy-duty fixed mount frame

*Thern's 3CP1S-AFS winch has a maximum noise level of 80 dBA, averaging 10 dBA less than the competition when measured at a distance of approximately three feet under similar conditions.



PERFORMANCE

Series	IMPERIAL								
	Maximum Capacity	Rope Diameter Range**	Maximum Line Speed Range***	Rated Current Draw	Input Voltage	Ship Weight	Ambient Operating Temperature Range	Duty Cycle	Mount Type
3CP1M-AFS	1,000 lbs	½–¾ in	35–50 fpm	15 amp	115V/1 Phase /50-60Hz	64 lbs	-4 °F– +105 °F	20 mins full load	Fixed
3CP1S-AFS	1,000 lbs	½–¾ in	35–50 fpm	15 amp	115V/1 Phase /50-60Hz	76 lbs	-4 °F– +105 °F	20 mins full load	Swivel

Series	METRIC								
	Maximum Capacity	Rope Diameter Range**	Maximum Line Speed Range***	Rated Current Draw	Input Voltage	Ship Weight	Ambient Operating Temperature Range	Duty Cycle	Mount Type
3CP1M-AFS	450 kg	13–19 mm	11–15 mpm	15 amp	115V/1 Phase 50-60Hz	29 kg	-20°C– +40°C	20 mins full load	Fixed
3CP1S-AFS	450 kg	13–19 mm	11–15 mpm	15 amp	115V/1 Phase 50-60Hz	34 kg	-20°C– +40°C	20 mins full load	Swivel

*Thern's 3CP1M-AFS winch has a maximum noise level of 80 dBA, averaging 10 dBA less than the competition, when measured at a distance of approximately three feet under similar conditions.

**Synthetic rope only. Available for purchase through Thern.

***Load dependent.

Integral Rope Keep

- Spring-loaded rope keep helps prevent accidental removal of hand line from drum
- Corrosion-resistant components improve durability
- Rope keep bar serves as a carrying handle

Integral Rope Lock

- Rope lock prevents unintentional lowering of load
- Accommodates ½–¾ inch rope for varying loads
- Nickel-plated and anodized components ensure durability and smooth handling of load.
- Adjustable rope lock accommodates various line exit angles and operator heights

Accessories

3CP1S-HM Hitch Mount**

- Heavy-duty (ASTM-grade steel) construction for 1,000-pound swivel capstan winch
- For use on vehicles with a 2-inch hitch receiver
- Hitch includes standard receiver clevis and cotter pins
- Red powder-coat finish
- Product weight is approximately 26 pounds for easy handling

**For use with Thern swivel capstan winch only.



NOTICE: These products are not for lifting people or things over people.

Refer to technical pages for detailed performance information.

LIBERTY® SERIES

PORTABLE ELECTRIC CAPSTAN WINCHES



Quiet Performance and Long Life

The Thern Liberty® Series capstan winch delivers portable strength and performance. More importantly, quiet operation enhances team communication for increased productivity. Among other uses, it's perfect for elevator shaft and cell tower construction projects. The enclosed motor housing, powder-coat finish, and corrosion-resistant components ensure dependable operation for many years.

Premium Motor with Handle

- Premium motor offers quiet operation (80 dBA)*, enhancing clear communication between operators
- Totally enclosed housing with durable powder-coat finish resists contamination for increased reliability
- Maintenance-free, permanently lubricated, planetary gearbox for smooth operation and long life
- UL Recognized motor

Engineered Drum Design

- Keeps load line from moving during operation, enhancing productivity
- Nickel-plated steel construction for optimum performance and durability



Product Shown:
3CP1M-AFS

Integral Rope Lock

- Rope lock prevents unintentional drops to enhance safety
- Accommodates 1/2–3/4 inch rope for varying loads
- Nickel-plated and anodized components enhance durability
- Adjustable rope lock accommodates various line exit angles and operator heights

Integral Rope Keep

- Spring-loaded rope keep helps prevent accidental removal of hand line from drum to enhance safety
- Corrosion-resistant components enhance durability
- Rope keep bar serves as carrying handle

Durable Winch Frame

- Lightweight, engineered design and steel construction enhances portability
- Powder-coated steel finish resists wear and promotes durability

Foot Switch Control

- Foot switch-controlled operation enhances productivity and safety
- IP65, NEMA 4-rated sealed foot switch allows outdoor use
- Painted, cast iron construction and anti-skid feet promote durability and stability for outdoor applications
- 10-foot cord and twist-lock plug design aid convenience and prevent power disruption for enhanced productivity

PERFORMANCE

IMPERIAL									
Series	Maximum Capacity	Rope Diameter Range**	Maximum Line Speed Range***	Rated Current Draw	Input Voltage	Ship Weight	Ambient Operating Temperature Range	Duty Cycle	Mount Type
3CP1M-AFS	1,000 lbs	1/2–3/4 in	35–50 fpm	15 amp	115V/1 Phase /50-60Hz	64 lbs	-4 °F– +105 °F	20 mins full load	Fixed
3CP1S-AFS	1,000 lbs	1/2–3/4 in	35–50 fpm	15 amp	115V/1 Phase /50-60Hz	76 lbs	-4 °F– +105 °F	20 mins full load	Swivel

METRIC									
Series	Maximum Capacity	Rope Diameter Range**	Maximum Line Speed Range***	Rated Current Draw	Input Voltage	Ship Weight	Ambient Operating Temperature Range	Duty Cycle	Mount Type
3CP1M-AFS	450 kg	13–19 mm	11–15 mpm	15 amp	115V/1 Phase 50-60Hz	29 kg	-20°C– +40°C	20 mins full load	Fixed
3CP1S-AFS	450 kg	13–19 mm	11–15 mpm	15 amp	115V/1 Phase 50-60Hz	34 kg	-20°C– +40°C	20 mins full load	Swivel

* Thern's 3CP1M-AFS winch has a maximum noise level of 80 dBA, averaging 10 dBA less than the competition, when measured at a distance of approximately three feet under similar conditions.

** Synthetic rope only. Available for purchase through Thern.

*** Load dependent.

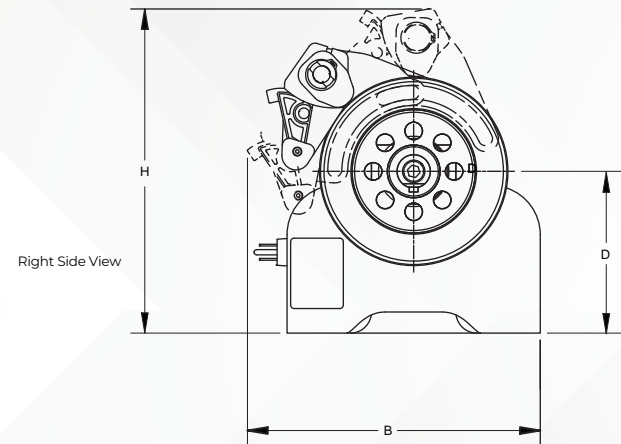
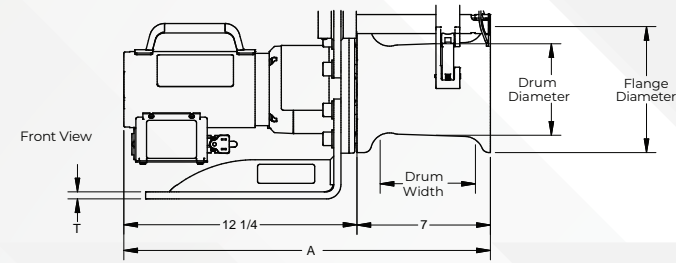
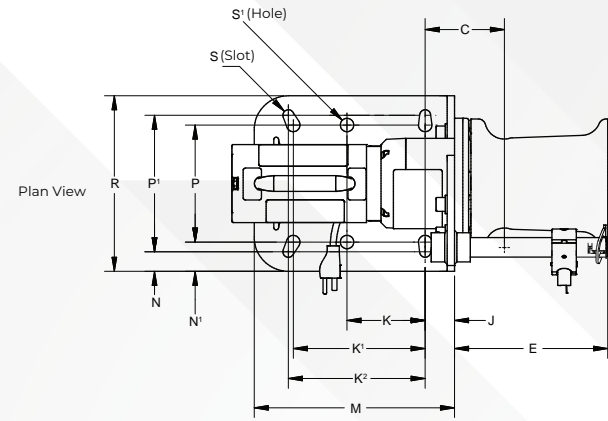


NOTICE: These products are not for lifting people or things over people.

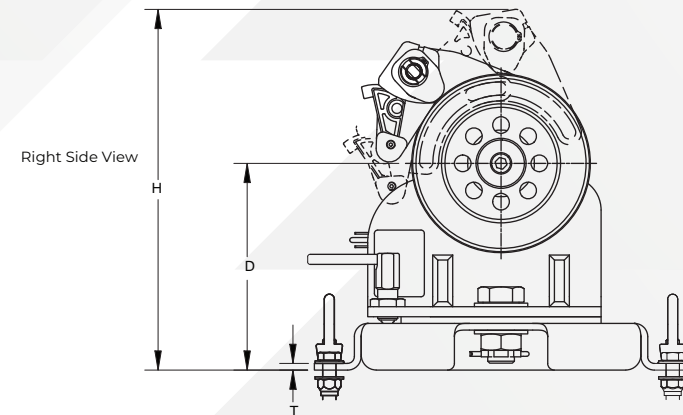
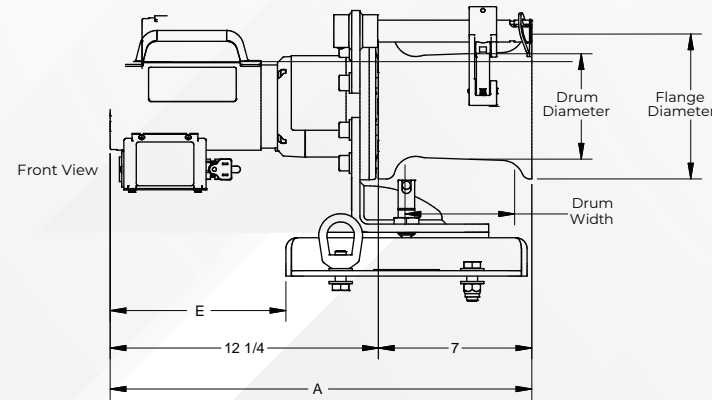
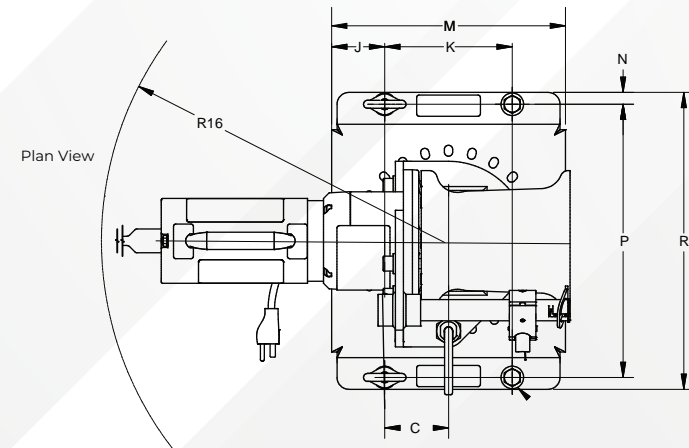
Refer to technical pages for detailed performance information.

TECHNICAL DRAWINGS & SPECIFICATIONS
LIBERTY® SERIES
 PORTABLE CAPSTAN WINCHES

Model 3CP1M-AFS



Model 3CP1S-AFS



Liberty® Series Capstan Winches—Dimensions

	3CP1M-AFS		3CP1S-AFS		Description
	(in)	(mm)	(in)	(mm)	
Drum Diameter	4.75	121	4.75	121	
Flange Diameter	6.63	169	6.63	169	
Drum Width	5	127	5	127	
A	19.25	489	19.25	489	overall width
B	9.75	248	14	356	overall depth
C	4	102	3	77	mtng. hole to rope exit
D	5.75	147	7.75	197	drum center height
E	7.88	201	8	204	frame to outside-width
F	0.75	20	6.50	166	frame to outside-depth
H	11.50	293	13.50	343	adjustable overall height
J	1.50	39	2.50	64	frame edge to mounting hole-width
K	4.00	102	6	153	mounting hole pattern-width
K ¹	6.75	172			mounting hole pattern-width
K ²	7	178			mounting hole pattern-width
M	10.25	261	11	280	frame width
N	1	26	0.56	15	mounting hole pattern-width
N ¹	1.50	39			frame edge to mounting hole-depth
P	6	153	12.88	328	mounting hole pattern-width
P ¹	7	178			mounting hole pattern-depth
R	9	229	14	356	frame depth
S (hole dia.)	.56	14			mounting slots
S ¹ (hole dia.)	.69	17	0.59	15	mounting hole
T	0.38	10	0.25	7	frame thickness



MADE IN USA 

Thern, Incorporated

World Headquarters
5712 Industrial Park Road Winona, MN USA
Toll Free: 1-800-843-7648
Phone: 1-507-454-2996
www.thern.com

Thern Europe

Bedrijvenpark Twente 454e
7602 KM Almelo The Netherlands
Phone: +31-546-898-380
europe@thern.com